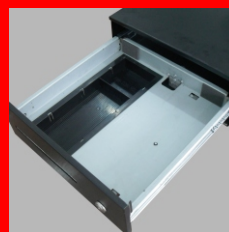


MAKEN®
Make It Happen

Heavy Duty Slide Cash Drawer



Two floors drawers



Exchangable interface

SLIDE SERIES
◀ **SK-325**



Ball bearing slides



Exchangable interface



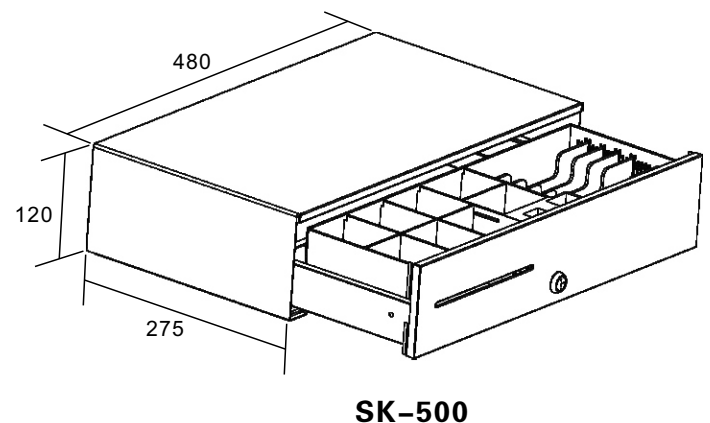
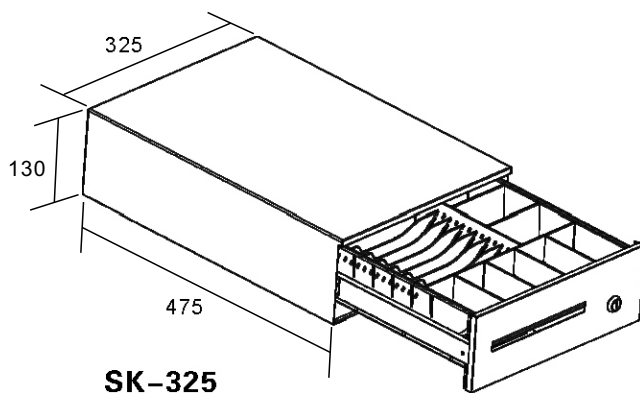
SLIDE SERIES
SK-500 ▶

SK-325/SK-500 Series Specifications

MODEL NUMBER	SK-325	SK-500
PHYSICAL		
Dimension	325 (W)x475 (D)x130 (H)mm	480(W)x275(D)x120(H)mm
Construction	Thick gauge cold rolled steel & SECC	
Finish	Textured hybrid powder coat	
Color	Black, Beige and Custom type	
Slide	Ball bearing slides	
CASH TRAY (INSERT)		
Construction	Shatter-resistant plastic	
Currency Layout	6 Bills 8 Coins	
Media Slots	1	
OPERATION		
Drawer Lock	3-Position lock : locked closed, manual open, electronically driven	
Interface	RJ11, RJ12, USB, RS232, DC Φ 2.5 /3.5 Jack, custom type	
Lifecycle	MTBF 1,000,000 times +	
Micro Switch	Cash Drawer Status Micro Switch	

OPTION	ACCESSORIES	
	Part Number	Description
Micro-switch		
Stainless Steel Front	Bracket-325	Under Mounting brackets
Cash tray with different currency layout	DT-100U	USB Trigger
Different color	DT-100RS	Serial Interface Trigger
Different interfaces		

Packing Details			
Models	Net Weight(kg)	Gross Weight(kg)	Carton Size(cm)
SK-325	8.3	9.1	38.5 × 53.5 × 19.0
SK-500	6.8	7.6	54.0 × 33.5 × 18.0



XIAMEN MAKEN TECH CO.,LTD.

ADD:No.77, Huli Industrial Zone, Xike,
Tong'an District, Xiamen 361100, Fujian China
TEL: 86-592-5768733
FAX: 86-592-5768735
E-mail:export@maken.com.cn
http://www.maken.com.cn

Specifications are subjected to change without notice.

**A Professional Cash Drawer
Manufacturer**

