

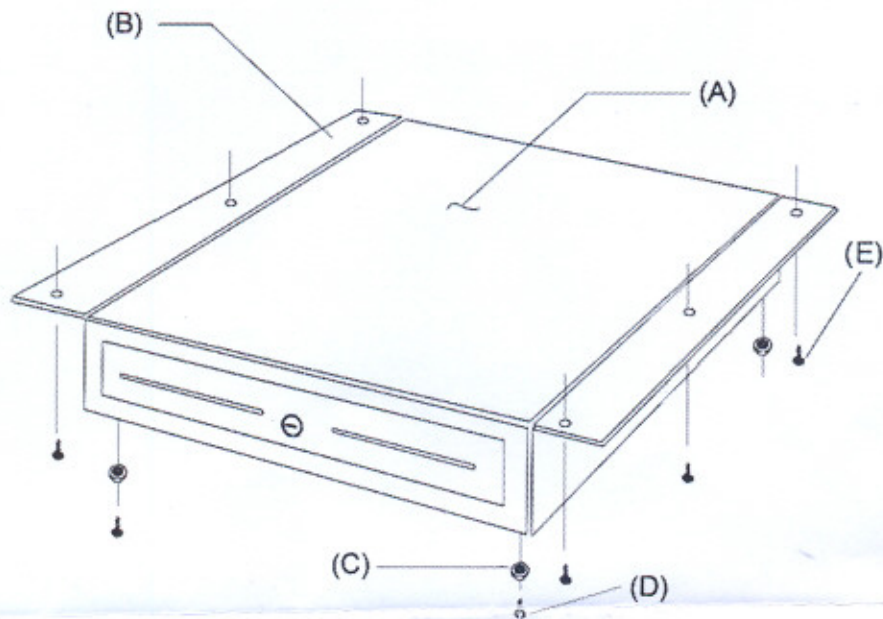
MOUNTING INSTRUCTIONS

CASH DRAWER UNDER COUNTER

for

MODEL: CDR-MK350B/CDR-MK350T

MODEL: CDR-410T /CDR-VK-4102B



MOUNTING STEPS:

1. Tape template card board (enclosed) against under counter surface where cash drawer is to be mounted. Note: Back of template is toward under counter surface.
2. Predrill Eight (6) holes app.3/4" deep into surface where mark \oplus model: CDR-410T /CDR-VK-4102B) or \ominus (model: CDR-MK350B/CDR-MK350T) on template.
CAUTION: Do not drill through counter. Use 1/8" drill bit for plywood board and 5/32" DIA drill bit for particle board.
3. Mount two (2) under counter brackets (B) against bottom surface of counter using eight (8) No. 10-3/4" long screws (E) as shown.
4. Remove four (4) screws No. 8-32 x 1/2"(D) & four (4) Rubber feet (c) back rubber feet (C) from bottom of drawer units & keep them for later use.
5. Slide cash drawer unit with bottom plate over brackets & align four (4) holes.
6. Mount cash drawer unit to brackets using four (4) screws & four (4) rubber feet which were removed from cash drawer unit.

ITEM	DESCRIPTION	QTY.
A	CASH DRAWER	1
B	UNDER COUNTER MOUNTING BRACKET	2
C	RUBBER FEET	4
D	SCREWS 8-32 x 1/2" LONG	4
E	SCREWS 10 X 3/4" LONG	6+1 (1 for backup use)

Items (C.) & (D) are included with your Cash Drawer Unit (A).